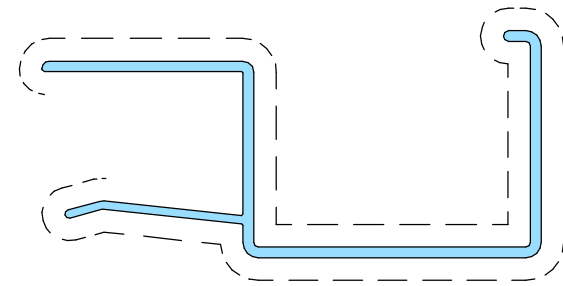
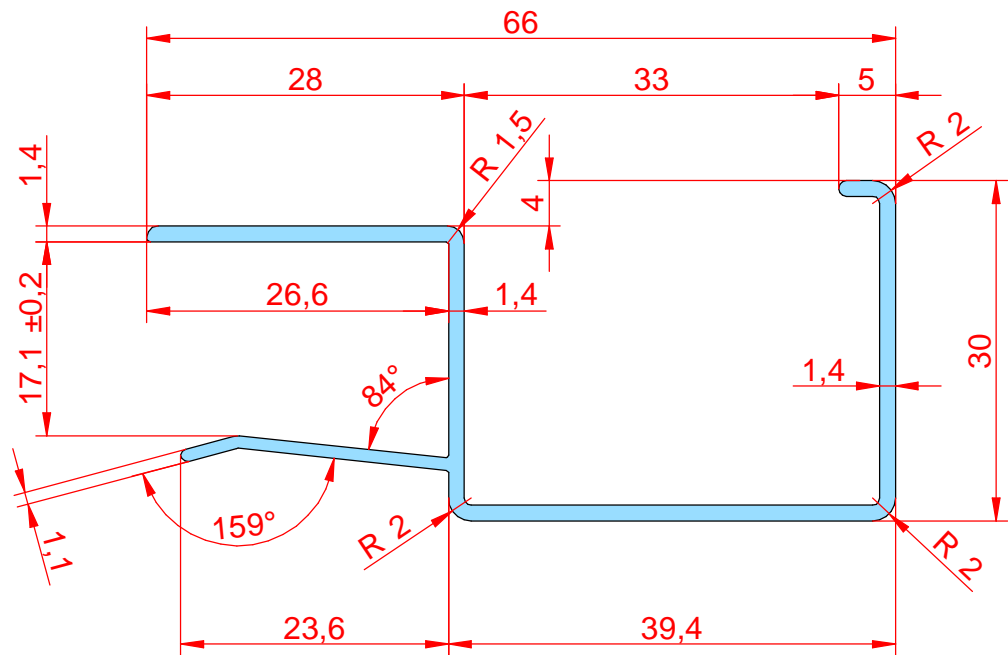


Reviews			
Rev	Description	Date	Approved



	Name	Date		
Drawn	B.Feliu-DSA	26/02/15		
Controlled				
Material: AA6063 T5			A4	Rev 01
			File: 1.5.020.80.dft	
For more technical information request electronic files.			Scale: 1:1 1,5:1	<b>1.5.020.80</b>